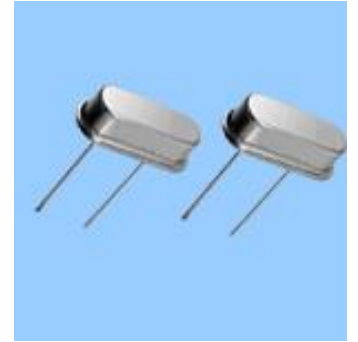




无源直插晶振49S-20MHZ

Features

- Resistance weld seal.
- A resistance weld completely sealed type.
- The tight frequency stability.
- Low cost.
- Versatile.
- Pb-free and ROHS/Green compliant.



Applications

- Ideally suited designed for Set-Top Box/Multimedia, modems, clock/vcxo multiplier, network adapter cards and remote control devices.

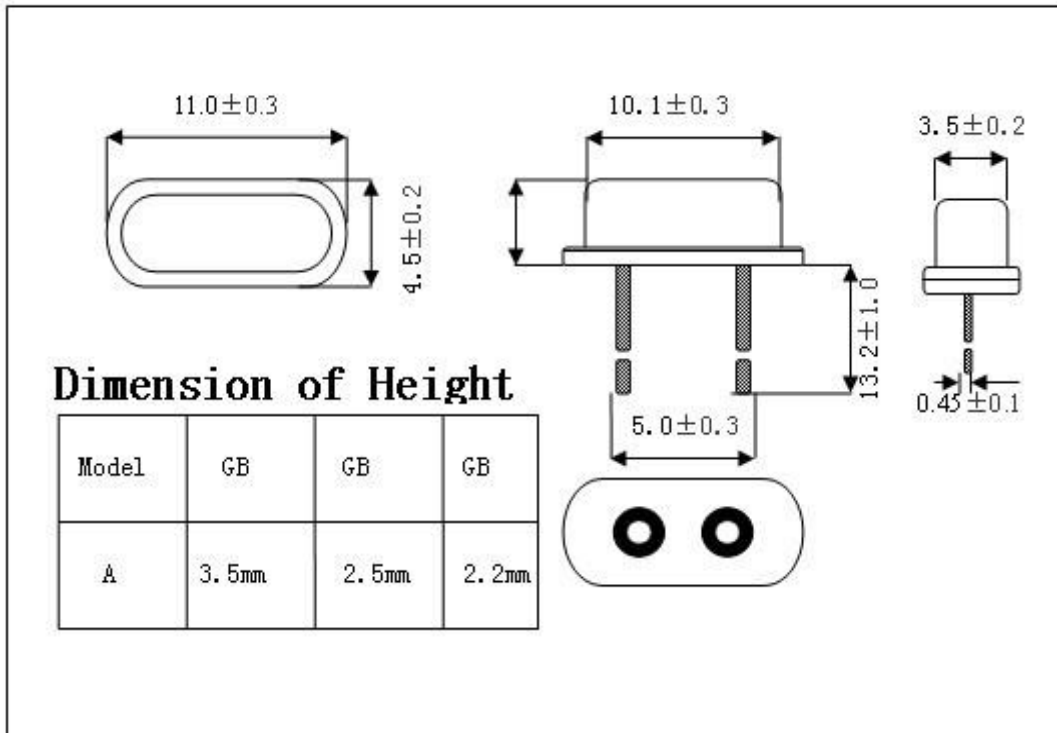
Specifications

| 项目Item | 技术Specifications |
|---|---|
| 型号Holder Type | 49S-20MHZ |
| 频率范围 Frequency Range | 20.000MHZ |
| 调整频差Frequency Tolerance(ΔF) | $\pm 10\text{PPm}$ to $\pm 30\text{PPm}$ (at 25°C) |
| 温度频差Frequency Drift | $\pm 10\text{PPm}$ to $\pm 30\text{PPm}$ ※(See Notes 2) |
| 工作温度Operaing Temp | -20°C to 70°C/-40°C to 85°C |
| 储存温度Storage Temp | -40°C to 85°C/-55°C to 125°C |
| 老化能力 Aging (25°C) | $\pm 5\text{PPm/year}$ Maximum |
| 静电容Shunt Capacitance(C0) | 7pF maximum |
| 激励功率Drive Level | 100 μW Typical |
| 绝缘阻抗Insulaton Resistance(Rs) | 500 Megaohms Minimum at D, C100V |
| 负载电容Load Capacitance (CL) | Suggested by customer |
| ※Notes1;For 2.5mm height, lowest frequency is 10 MHZ. For 2.8mm height, lowest, frequency is 6 MHZ ※Notes2; ± 10 , ± 20 , $\pm 30\text{ppm}$ (-20°C to 70°C) ± 20 , ± 30 , $\pm 50\text{ppm}$ (-40°C to 85°C) or depends on customer | |

Equivalent Series Resistance and Mode of Operation

| Frequency (MHz) | Mode | ESR (Ω) Max | Frequency (MHz) | Mode | ESR (Ω) Max |
|-----------------|-------|----------------------|-----------------|-----------|----------------------|
| 3.2~3.579 | Fund. | 250 | 10.0~14.0 | Fund. | 50 |
| 3.579~4.0 | Fund. | 150 | 14.0~20.0 | Fund. | 40 |
| 4.0~5.0 | Fund. | 120 | 20.0~48 | Fund. | 30/40(BT cut) |
| 5.0~6.0 | Fund. | 100 | 35~40 | 3th I. T. | 100 |
| 6.0~7.0 | Fund. | 80 | 40~100 | 3th I. T. | 80 |
| 7.0~10.0 | Fund. | 60 | | | |

Dimensions



Reflow Condition

